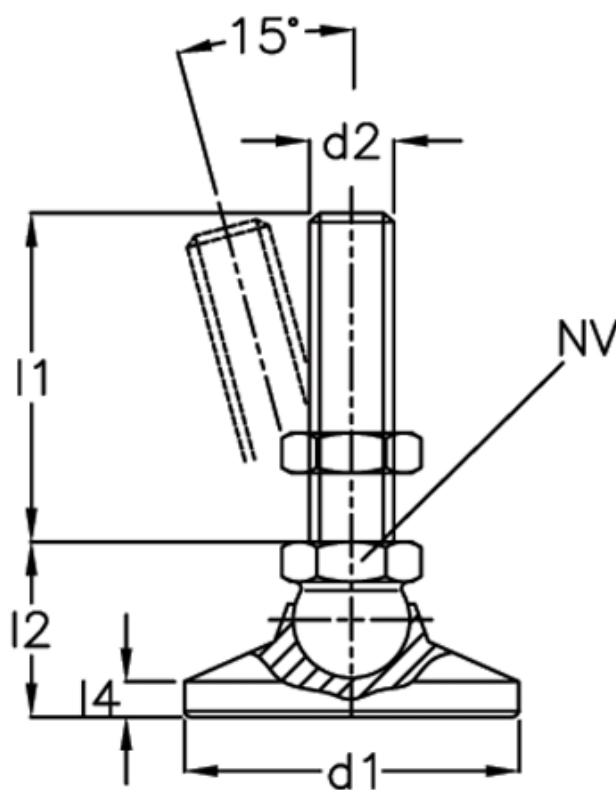


Article number: 20343650M1080OS

Description: E+G levelling foot  
GN 343.6-50-M10-80-OS

## Measures



A/F	= 15
d1	= 50
d2	= 10
l1	= 80
l2	= 28
l4	= -
Static load (N)	= 11
Weight in (g)	= 222